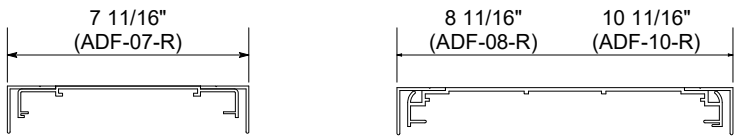
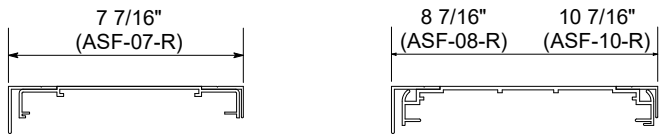


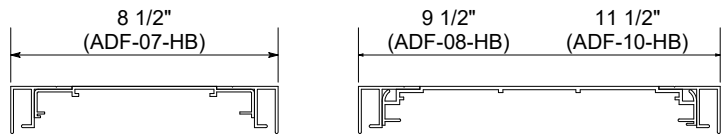
D/F EXTR. ALUM. W/ 1 1/2" CONVENTIONAL RETAINER



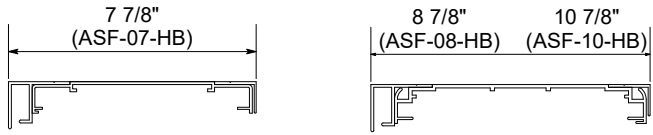
S/F EXTR. ALUM. W/ 1 1/2" CONVENTIONAL RETAINER



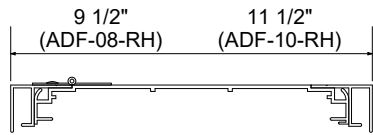
D/F EXTR. ALUM. W/ 1 1/2" H BAR RETAINER



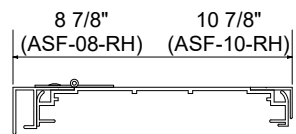
S/F EXTR. ALUM. W/ 1 1/2" H BAR RETAINER



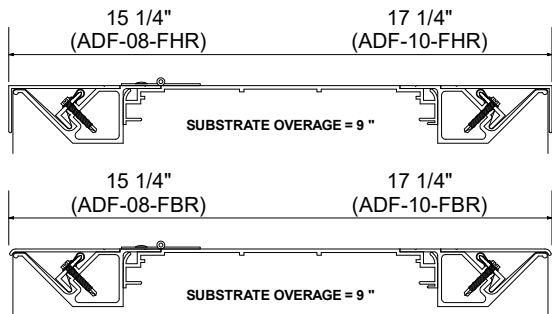
D/F EXTR. ALUM. W/ 1 1/2" HINGING H BAR RETAINER



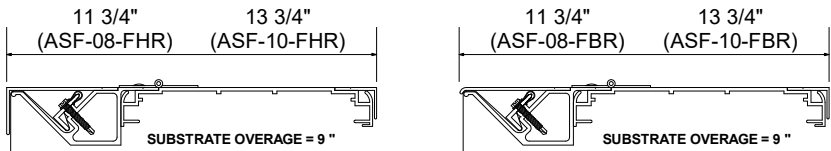
S/F EXTR. ALUM. W/ 1 1/2" HINGING H BAR RETAINER



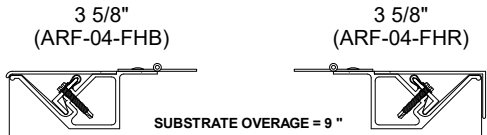
ALUM. D/F FLEXIBLE FACE HINGE FRAME



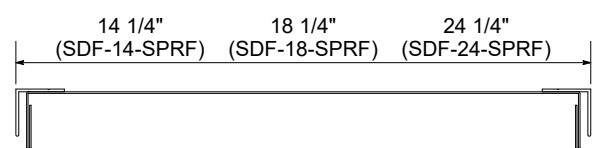
ALUM. S/F FLEXIBLE FACE HINGE FRAME



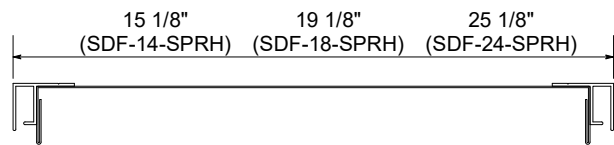
ALUM. RETRO-FIT FLEXIBLE FACE FRAME



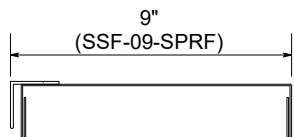
18 GA. STEEL SPACER D/F W/ 1 1/2" FLAT RETAINER



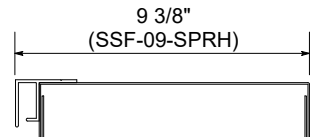
18 GA. STEEL SPACER D/F W/ 1 1/2" H BAR RETAINER



18 GA. STEEL SPACER S/F W/ 1 1/2" FLAT RETAINER



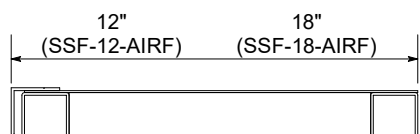
18 GA. STEEL SPACER S/F W/ 1 1/2" H BAR RETAINER



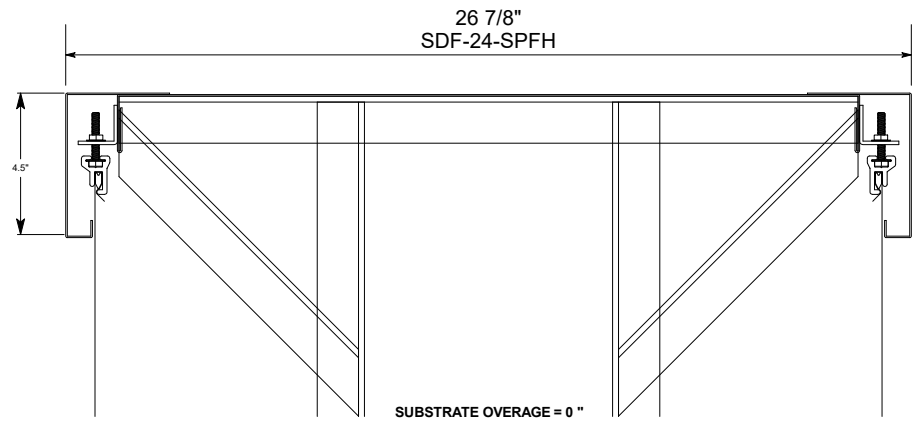
STEEL ANGLE D/F RIGID FACE FRAME W/ ALUM SKIN



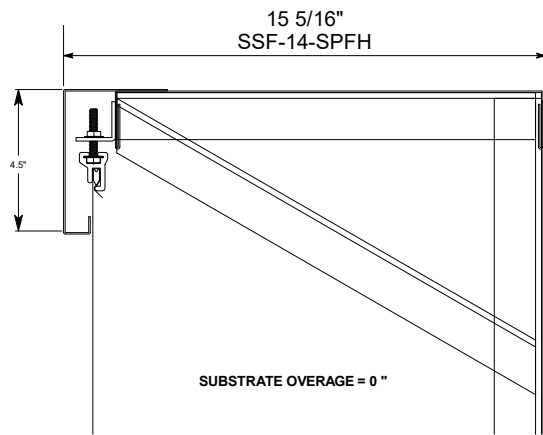
STEEL ANGLE S/F RIGID FACE FRAME



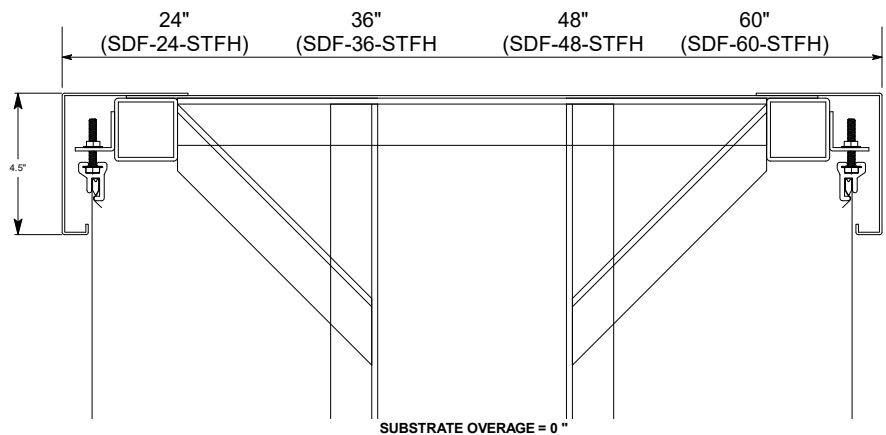
18 GA. STEEL SPACER D/F W/ 4 1/2" HOOK RETAINER



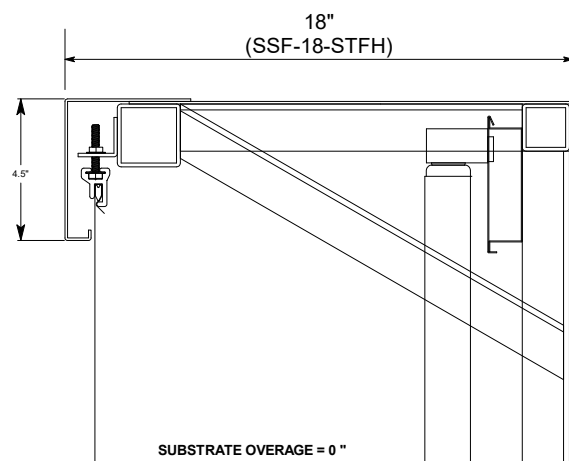
18 GA. STEEL SPACER S/F W/ 4 1/2" HOOK RETAINER



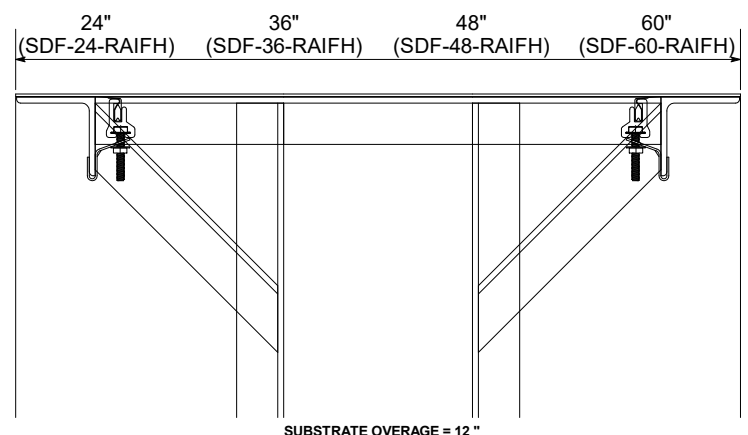
STEEL TUBE D/F FLEX FACE FRAME W/ ALUM. SKIN



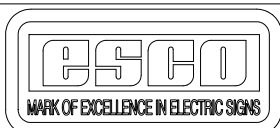
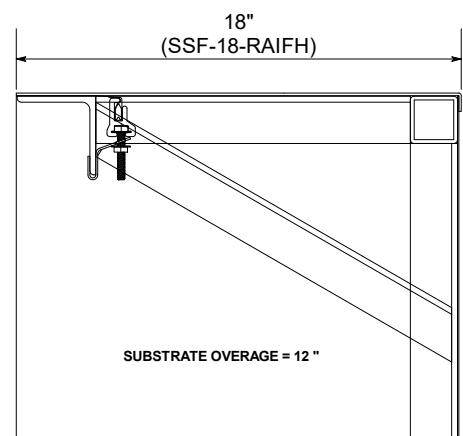
STEEL TUBE S/F FLEX FACE FRAME W/ ALUM. SKIN



STEEL REVERSE ANGLE D/F BLEED FLEX FACE FRAME



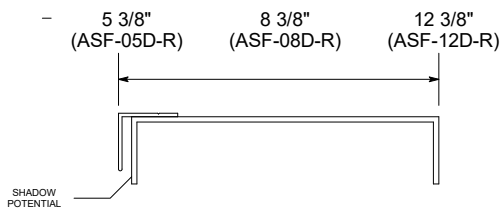
STEEL REVERSE ANGLE S/F BLEED FLEX FACE FRAME



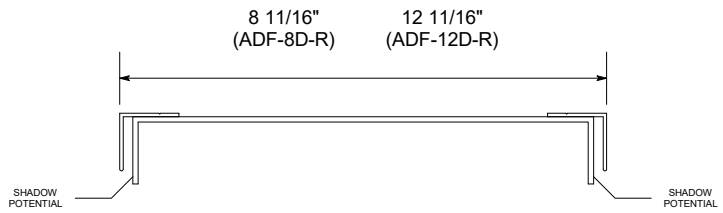
STANDARD FRAME CONSTRUCTION AVAILABILITY

Ph#: 1-800-843-3726

DAK C CHANNEL D/F W/ 1 1/2" RETAINER



DAK C CHANNEL D/F W/ 1 1/2" RETAINER



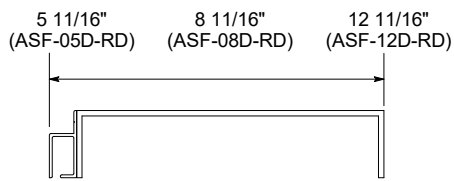
DAK C CHANNEL D/F W/ 1 1/2" H BAR RETAINER



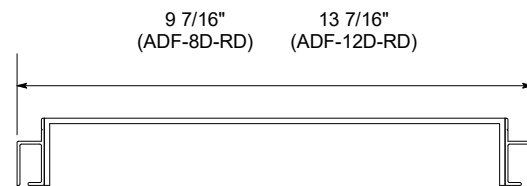
DAK C CHANNEL D/F W/ 1 1/2" H BAR RETAINER



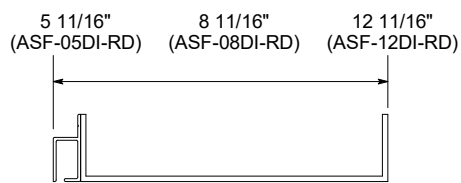
DAK C CHANNEL D/F W/ 1 3/4" DAK RETAINER



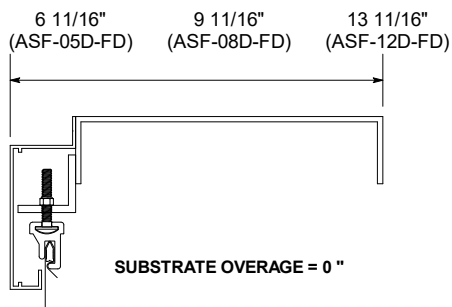
DAK C CHANNEL D/F W/ 1 3/4" DAK RETAINER



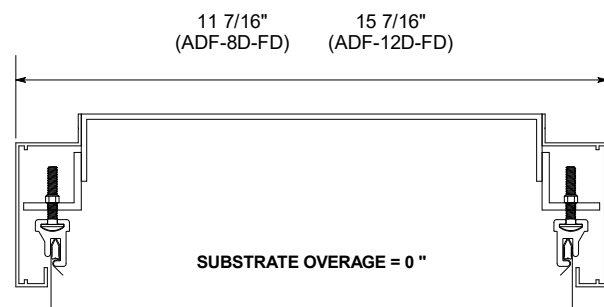
DAK INVERT. C CHANNEL D/F W/ 1 3/4" DAK RETAINER



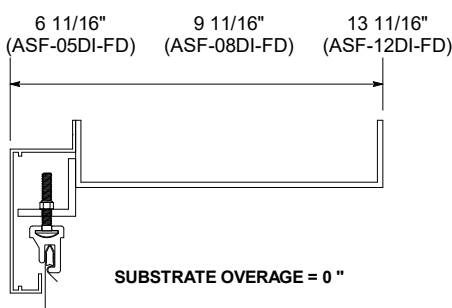
DAK C CHANNEL D/F W/ 4 1/2" DAK FLEX RETAINER



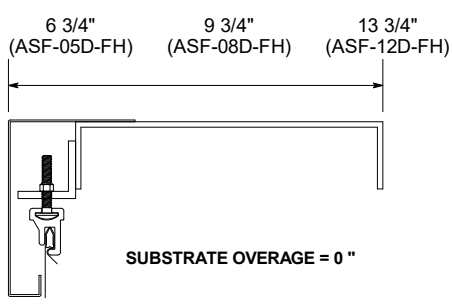
DAK C CHANNEL D/F W/ 4 1/2" DAK FLEX RETAINER



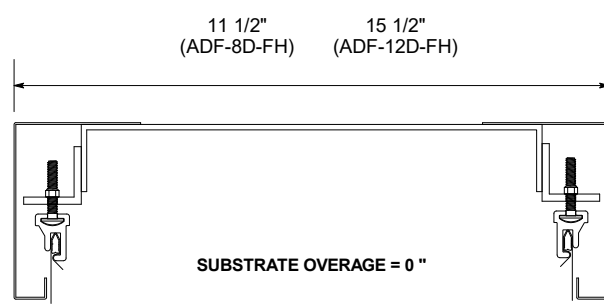
DAK INVERT C CHANNEL D/F W/ 4 1/2" DAK FLEX RETAINER



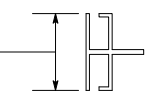
DAK INVERT C CHANNEL D/F W/ 4 1/2" DAK FLEX RETAINER



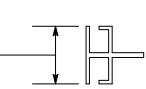
DAK C CHANNEL D/F W/ 4 1/2" HOOK FLEX RETAINER



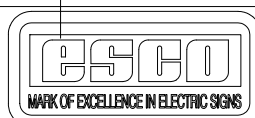
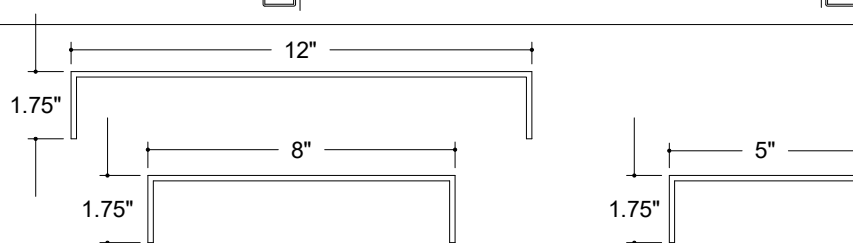
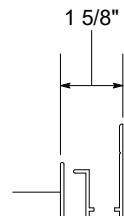
2 1/2" ADIVIDER BAR



1 1/2" ADIVIDER BAR



1 1/2" WALL MOUNT RETAINER



C CHANNEL FRAME CONSTRUCTION AVAILABILITY

Ph#: 1-800-843-3726